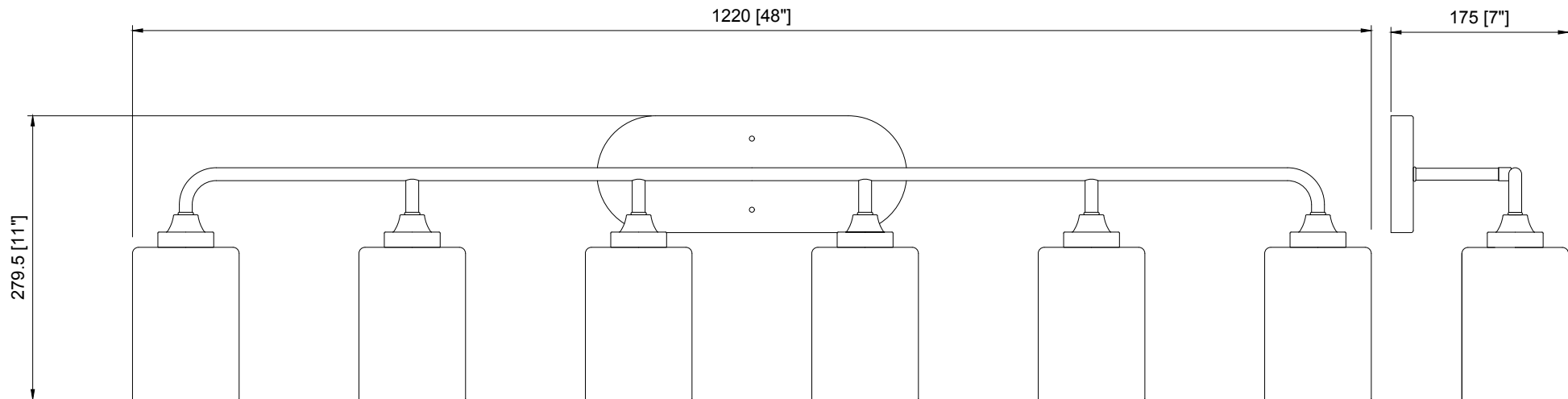


UL SPECIFICATION

- * FIXTURE SHALL BE LISTED FOR LOCATION ONLY AND LABELED AS SUCH.
- * FIXTURE MUST BE MANUFACTURED IN ACCORDANCE WITH UL STANDARD 1598.

PARTS SPECIFICATIONS
ITEM QTY DESCRIPTION

- A (1) SOCKET- UL LISTED/CSA CERTIFIED
BASE= MEDIUM
SOCKET= PORCELIN
SEE LEAD WIRE FOR SOCKET WIRE SPEC.
- B (1) LEAD WIRE- 8" FROM CANOPY
UL LISTED/CSA CERTIFIED, AWG #18
105°C BLACK AND WHITE WIRE.
STRIP 1/2 [12.7], SPLIT 3 [76.2].
FROM TOP OF SCROLL.
(SEE CHART FOR COLOR).
- C (1) GROUND WIRE- 8" FROM CANOPY
1/4 LAY COPPER GROUND WIRE.
FROM TOP OF SCROLL.
(SEE CHART FOR TINT).



INNOVATIONS LIGHTING
 DESIGN COPYRIGHT - 28/09/2020
 ALL RIGHTS RESERVED AND MAY
 NOT BE DUPLICATED WITHOUT OUR
 WRITTEN PERMISSION

DRAWN IN THIRD ANGLE PROJECTION	TOLERANCES (EXCEPT AS NOTED)				SCALE 1:6
	DECIMAL NONE ±.01	ANGULAR ±.1°	FRACTIONAL ±.1/32	SCALE 1:6	
	DATE 28/09/2020	DRAWN BY	CHECKED BY	X	X

TITLE	
6LT WALL MOUNT	
PART NO.	WALL
ITEM NO.	342-6W-BK-CLW

NO.	PART NO.	DESCRIPTION	REQ.

INNOVATIONS
 Creativity Meets Evolutionary Designs