

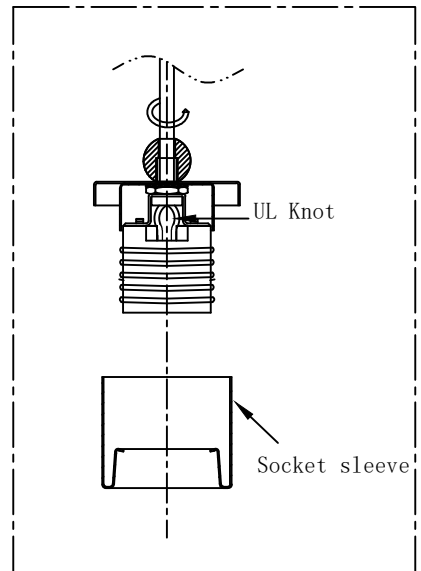
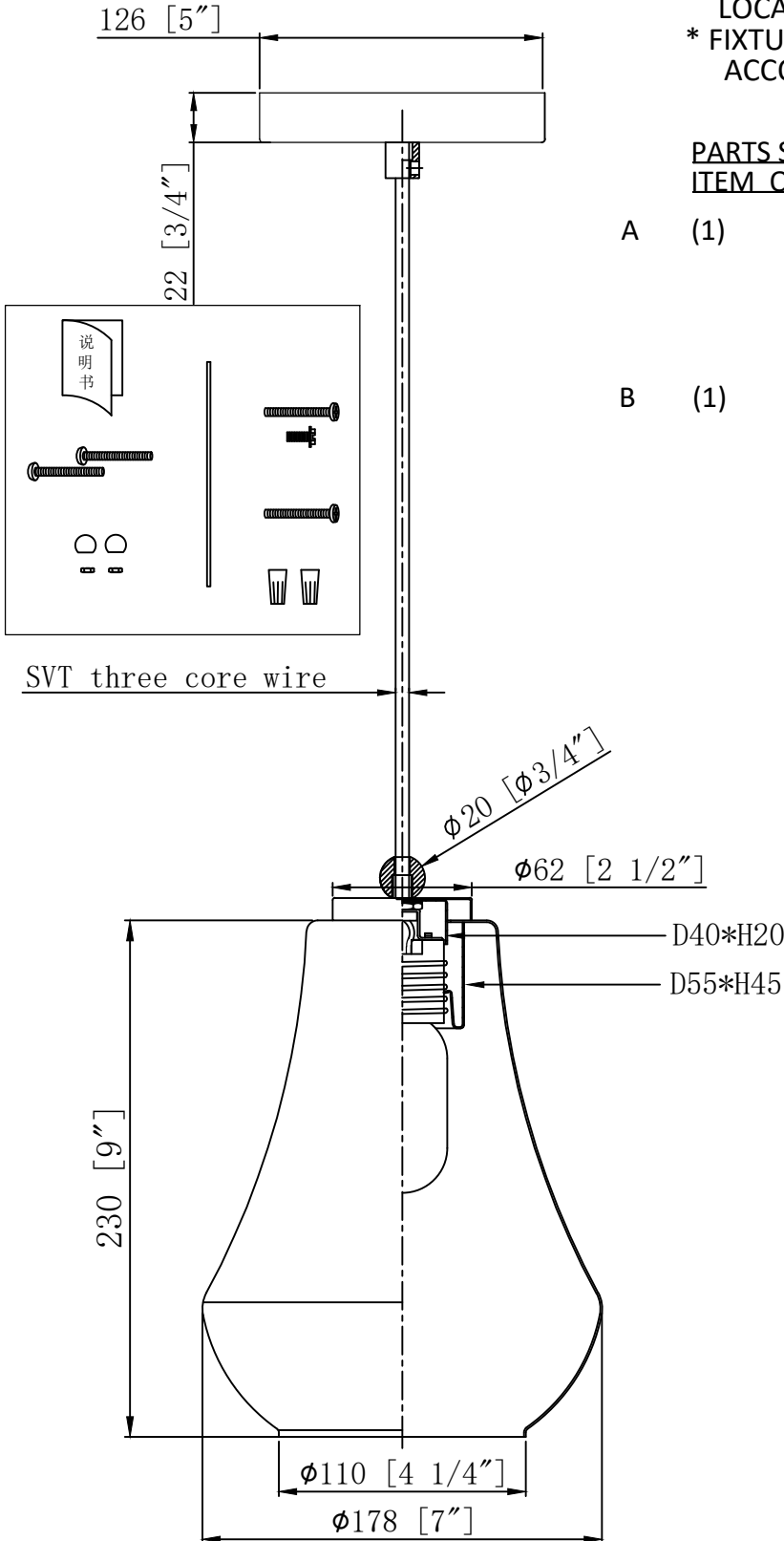
UL SPECIFICATION

- * FIXTURE SHALL BE LISTED FOR LOCATION ONLY AND LABELED AS SUCH.
- * FIXTURE MUST BE MANUFACTURED IN ACCORDANCE WITH UL STANDARD 1598.

PARTS SPECIFICATIONS

ITEM QTY DESCRIPTION

- A (1) SOCKET- UL LISTED/CSA CERTIFIED
BASE= MEDIUM
SOCKET= PORCELIN
SEE LEAD WIRE FOR SOCKET WIRE SPEC.
- B (1) LEAD WIRE- 96" FROM FRAME TOP
UL LISTED/CSA CERTIFIED, BLACK SVT
WIRE.



NO.	PART NO.	DESCRIPTION	REQ.

NOTICE: ANY DESIGN OR OTHER INFORMATION HEREON DEVELOPED BY THIS COMPANY IS CONFIDENTIAL MATERIAL AND EXCLUSIVE PROPERTY OF THE L.D. ALIYA CO. DISCLOSURE OR REPRODUCTION REQUIRES THE WRITTEN CONSENT OF THE L.D. ALIYA CO.

INNOVATIONS CREATIVITY MEET EVOLUTIONARY DESIGN			
TITLE 1LT PENDANT			
PART NO.	PENDANT		REV.
ITEM NO.	7" PENDANT		REV. A

INNOVATIONS LIGHTING
DESIGN COPYRIGHT - 12/22/2020
ALL RIGHTS RESERVED AND MAY NOT BE DUPLICATED WITHOUT OUR WRITTEN PERMISSION

DRAWN IN THIRD ANGLE PROJECTION	"mm" DIMENSION INDICATED IN [] DIMENSION IN [] IS FOR REF. ONLY			
	TOLERANCES (EXCEPT AS NOTED)			
DECIMAL	ANGULAR	FRACTIONAL	SCALE	
NONE ±.031	± 1/2°	± 1/32	1:3	
.X ±.015	DATE	DRAWN BY	CHECKED BY	APPROVED BY
.XX ±.010	12/22/2020	SSL	X	X
.XXX ±.005				